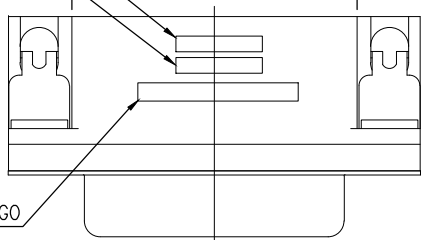


THIS DRAWING IS UNPUBLISHED. RELEASED FOR PUBLICATION. ALL RIGHTS RESERVED.

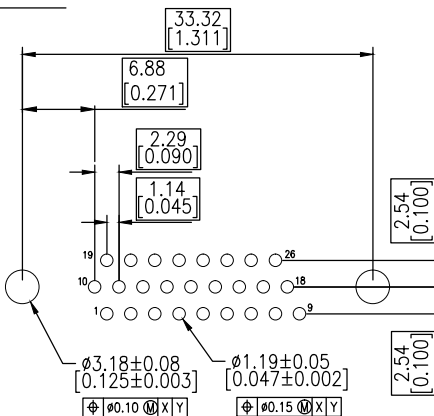
LOC	DIST	REVISIONS					
GP	00	P	LTR	DESCRIPTION	DATE	DWN	APVD
		D2		REVISED PER ECR-14-000795	30JUL14	SW	HL

△ DATE CODE
TYCO PART NO

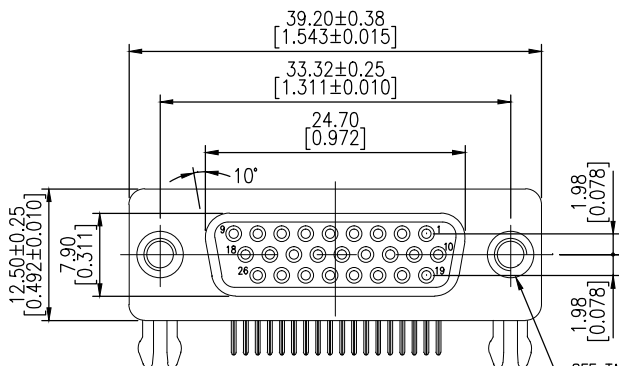


MANUFACTURER LOGO

△ -Y-
△ -X-



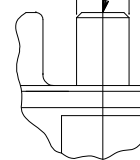
- HOUSING: PBT, 30% GF POLYESTER, UL 94V-0 RATED, COLOR BLACK.
- CONTACTS: PHOSPHOR BRONZE, GOLD PLATE IN MATING AREA (SEE TABLE), 120u" MIN TIN PLATE ON SOLDER TAIL, BOTH OVER 50u" MIN NICKEL UNDERPLATE.
- SHELL: STEEL, NICKEL PLATE.
- BOARDLOCK: BRASS, TIN PLATE 100u" MIN.
- FEMALE SCREWLOCK: BRASS, NICKEL PLATE 30u" MIN.
- △ FOUR DIGIT DATE CODE IN THIS FORMAT.
01 45
YEAR ———— MANUFACTURING WEEK
- △ DATUMS -X- & -Y- TO BE ESTABLISHED BY CUSTOMER.



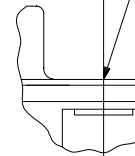
SEE TABLE FOR MOUNTING FLANGE CONFIGURATION

φ4.80±0.25
[.189±.010] #4-40 FIXED FEMALE SCREWLOCK 2 PLC

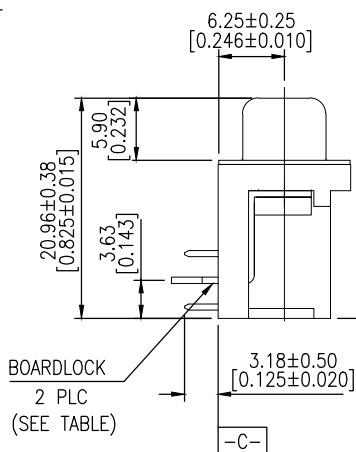
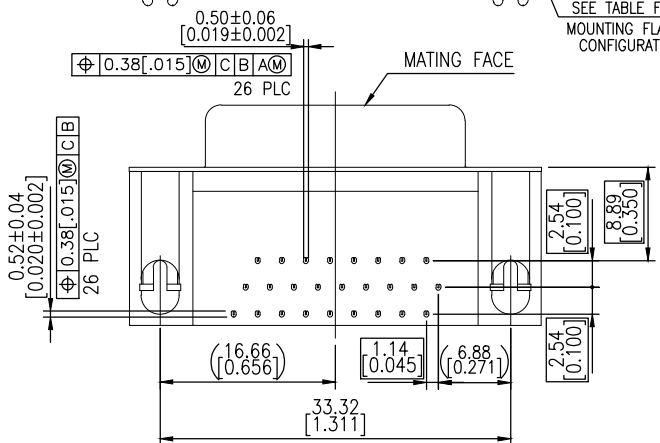
#4-40 THREADED INSERT 2 PLC



Detail A



Detail B



BOARDLOCK 2 PLC (SEE TABLE)

OBSOLETE	NO	Tray	Detail B	Gold flash	2-5748481-7
OBSOLETE	NO	Tray	Detail B	15µ" MIN GOLD	2-5748481-6
OBSOLETE	YES	Tray	Detail A	Gold flash	2-5748481-5
OBSOLETE	YES	Tray	Detail A	15µ" MIN GOLD	2-5748481-4
OBSOLETE	YES	Tray	Detail B	Gold flash	2-5748481-3
OBSOLETE	YES	Tray	Detail B	15µ" MIN GOLD	2-5748481-2
OBSOLETE	NO	Tray	Detail B	30µ" MIN GOLD	1-5748481-9
	YES	Tray	Detail A	30µ" MIN GOLD	5748481-6
	YES	Tray	Detail B	30µ" MIN GOLD	5748481-5

BOARDLOCK	Packaging	Mounting Flange	Contact Mating Area Finish	Part No
-----------	-----------	-----------------	----------------------------	---------

THIS DRAWING IS A CONTROLLED DOCUMENT.		DWN R. RICHARDSON	31MAY05	TE TE Connectivity		
DIMENSIONS: mm [INCHES]		CHK S. BOLASH	31MAY05			
TOLERANCES UNLESS OTHERWISE SPECIFIED:		APVD M. WALMSLEY	31MAY05	NAME		
0 PLC	± .030	PRODUCT SPEC		AMPLIMITE HD-22		
1 PLC	± 0.20	APPLICATION SPEC		26 POS RECEPTACLE, RIGHT ANGLE		
2 PLC	± 0.10	MATERIAL		SIZE		
3 PLC	± .010	FINISH		CAGE CODE		
4 PLC	± .005	MATERIAL		DRAWING NO		
ANGLES	± °	FINISH		RESTRICTED TO		
		MATERIAL		WEIGHT		
		FINISH		SCALE		
		MATERIAL		SHEET		
		FINISH		REV		

5748481-5, 2--2, & 2--3 SHOWN